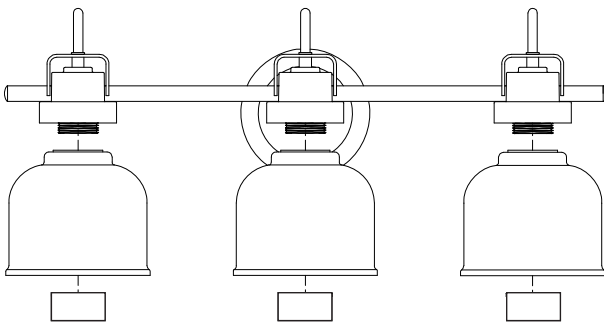
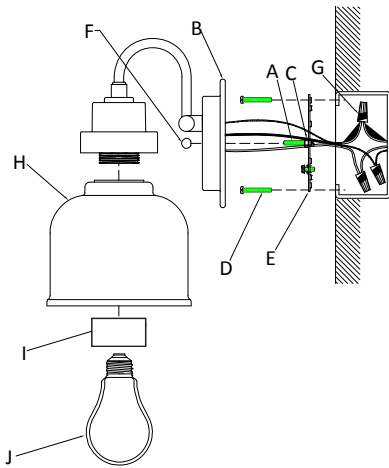


## Assembly Instruction

### parts enclosed:

- (A) Backplate Screw (2)
- (B) Backplate (1)
- (C) Hex Nut (2)
- (D) Mounting Screw (2)
- (E) Mounting Plate & green ground screw (1)
- (F) Ball Nut (2)
- (G) Wire Connector (3)
- (H) Glass Shade (3)
- (I) Socket Ring (3)
- (J) Light Bulb (3) (Not Included)



### important safety instructions:

**CONSULT A QUALIFIED ELECTRICIAN TO ENSURE CORRECT BRANCH CIRCUIT CONDUCTOR.**

1. We recommend installation by a licensed electrician.
2. To avoid the risk of fire, do not exceed the recommended wattage of three 60-watt Type A lightbulb for this fixture.

### assembly instructions:

1. Carefully unpack and identify all parts referring to the illustration for parts identification.
2. Turn off power at the outlet box where the fixture will be installed.
3. Insert the Backplate Screws (A) into the Mounting Plate (E) and tighten with the Hex Nuts (C) provided on the Backplate Screws (A).
4. Attach the Mounting Plate (E) to outlet box using the Mounting Screws (D), tighten with a screwdriver. Ensure the side of the Mounting Plate (E) marked "GND" is facing out.
5. While holding the fixture, connect the black wire from fixture to the hot wire (usually black or smooth) from the outlet box using a Wire Connector (G). Connect the white wire from fixture to the neutral wire (usually white or ribbed) from the outlet box using a Wire Connector (G). **DO NOT REVERSE THE HOT AND NEUTRAL WIRE CONNECTIONS; OTHERWISE, SAFETY WILL BE COMPROMISED.**
6. If the outlet box has ground wire (green or bare copper), connect the green ground wire from the fixture to it using a Wire Connector (G). If the outlet box does not have a ground wire, connect the green ground wire outlet box from the fixture to the green ground screw provided on the Mounting Plate (E).
7. Tuck these wire connections neatly into the outlet box, place the Backplate (B) over the Mounting Plate (E) and align the two holes on the Backplate (B) with the Backplate Screws (A), secure the Backplate (B) with the Ball Nuts (F) until the fixture is secured to the wall.
8. Place the Glass Shades (H) over the sockets and secure the Glass Shades (H) in place using the Socket Rings (I).
9. Install the proper light bulbs (J) (not included) in accordance with the fixture's specifications (**DO NOT EXCEED THE SPECIFIED WATTAGE RATING**)
10. Installation is complete. Turn on power at the outlet box and test the lighting of the fixture.

### care instructions:

Wipe all surfaces with a soft, dry cloth. Do not use any harsh cleaners (including ammonia-based products) or abrasives on the fixture as they will damage the surface.